

SK27

Semi-automatic sealer
for large fixed box sizes



SEMI-AUTOMATIC CASE SEALER

100%
MADE in ITALY

SK27

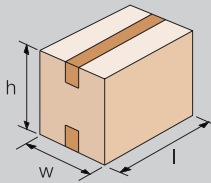
The SK27 is a new semi-automatic case sealing machine designed and engineered by SIAT specifically for large fixed sized boxes. SK27 is the ideal case sealing machine for a variety of industries like food and beverage, chemical, clothing, textiles, electronics, furniture and metal containers.

SPECIFICATIONS

Max Production Capacity: 1200 boxes/hour

Case type: RSC - HSC - FEFCO 0201

Max case weight: 32 Kg



| Box dimensions | L (mm) | W (mm) | H (mm) |
|----------------|--------|--------|--------|
| MIN | 150 | 170 | 120 |
| MAX | ∞ | 650 | 700 |

KEY FEATURES

- » Seals upper & lower flaps of cardboard cases or cartons
- » 5 upper guide wheels & double lateral guide wheels on top
- » Re-designed centering device to eliminate 'pinch points'
- » Lockable electric isolation switch
- » Emergency stop on both sides of the machine
- » Best-In-Class components with SIEMENS electronics
- » Re-designed column & upper frame to maximise strength and resist vibration
- » Top taping head removable without removing protective cover
- » Quick release Taping Heads (Top & Bottom – No tools required)



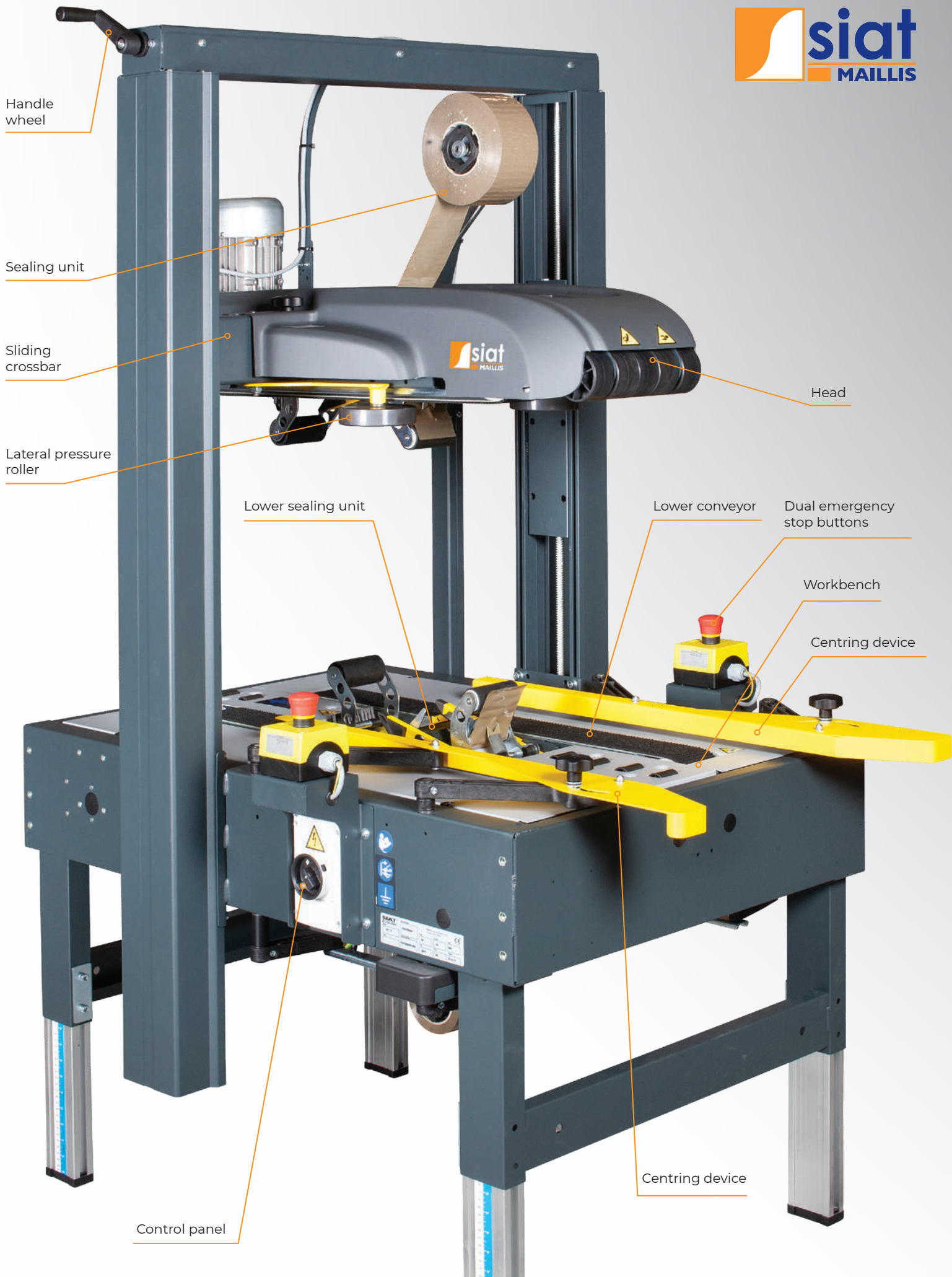
MAXIMUM FOCUS ON SAFETY:

- Emergency stop on both sides of the machine
- Lockable electric isolation switch
- Motor cable connection by strong & flexible steel spring design



Fast Tape Head changeover - easy and toolless!

Aluminium Telescopic Legs, quick and easy to adjust.



SK27

Machine dimensions

Dimensioni macchina
Maschinenabmessungen
Dimensions machine
Dimensiones de máquina

| | Min (mm) | Max (mm) |
|---------|----------|----------|
| Total H | 1551 | 1891 |
| H Bench | 485 | 825 |
| W | 1007 | 1007 |
| W Bench | 910 | 910 |
| L | 1080 | 1080 |



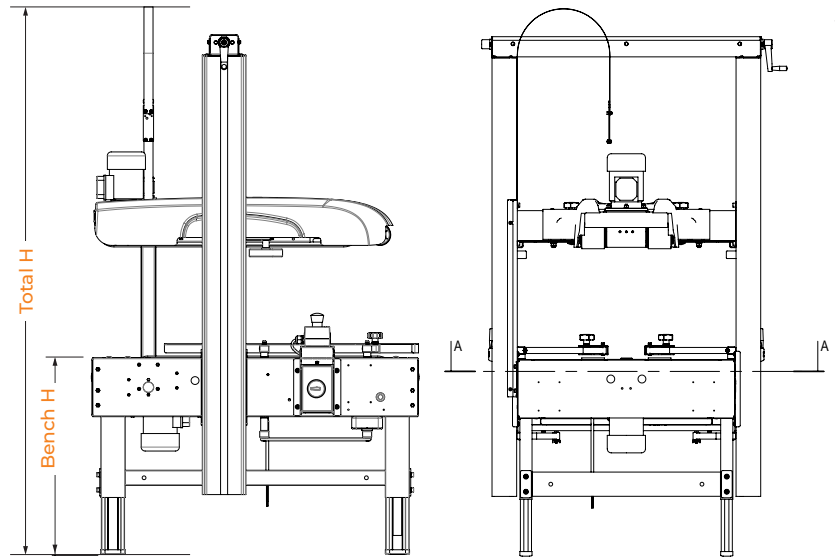
205



250



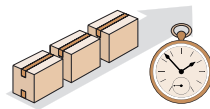
132(L) x 107(W) x 155(H) cm



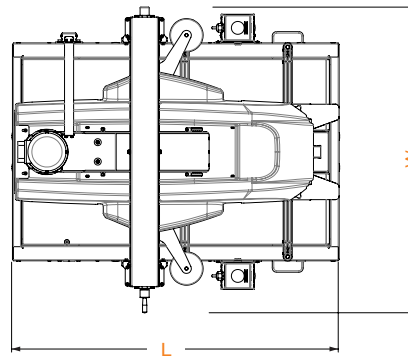
www.hangar2.it

Max. production capacity

Capacità di produzione
Produktionskapazität
Capacité de production
Capacidad de producción



up to 1200 Bph



Standard power supply

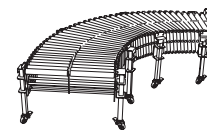
Alimentazione standard
Standard-Stromanschluß
Alimentation électrique standard
Fuente de alimentación estándar

| | |
|------------------------|------|
| 380/415V_50HZ_3PH+N+PE | |
| 220/230V 50Hz 1PH+N+PE | |
| Amps | 1,08 |
| Power kW | 0,26 |

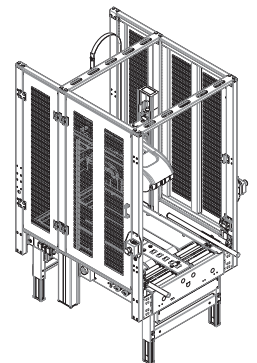
Optional Extras

Accessori
Zubehör
Accessories
Accesorios

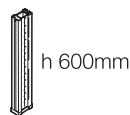
GTL - GTR



SAFETY FENCES

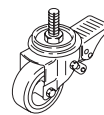


AS80

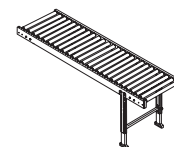


h 600mm

AS77



RG



SIAT Spa

Via Puecher 22, 22078 Turate - Como
www.siat.com

100%
MADE in ITALY

SIAT AND MAILLIS GROUP

SIAT is the famous Italian Brand of strapping hand tools, semi-auto wrappers and case handling machines and proudly part of Maillis Group. Operating 5 production units around the

world and employing over 1,200 qualified staff, Maillis provides you with reliable system solutions incorporating machines, consumables and services to face your everyday challenges across different industries.

SIAT S.p.A is recognised worldwide as a top-class machine manufacturer for secondary packaging and produces more than 17,000 machines per year, and has done since 1970. Our product range includes semi-automatic as well as fully automatic machines like Case Sealers and Case Erectors, Stretch Wrappers, Strapping Tools / Machines, Flexographic Printing Machines and Tape Dispensers. The company is present in more than 100 countries and is constantly investing worldwide to meet customers actual and future demands.