

NEW

BeeWrap⁺

Pre-Stretch >>>> Productivity >>>> Robustness >>>>

DATASHEET

SAFE • STRONG • SIMPLE

Semi-Automatic Robot Stretch-Wrapper

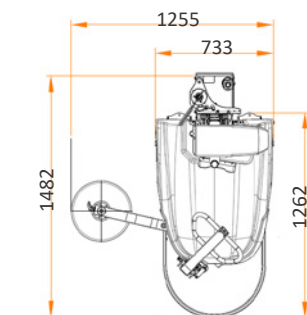
BeeWrap+ is a mobile wrapping machine used for palletizing goods with stretch film. It is suitable for heavy weight items, unusual shapes, and loads with large dimensions. It is equipped with a digital control panel that allows the user, in an easy and functional way, to alter various parameters and set-up customized wrapping cycle programs.

With sleek design modifications the newly upgraded features the Beewrap+ is also equipped with new **AGM dry battery technology**. This guarantees a higher working autonomy (up to **400 cycles per charge**) and enhances safety within the machine!

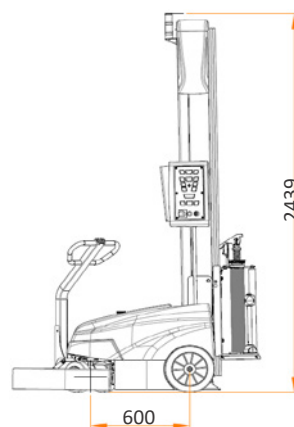
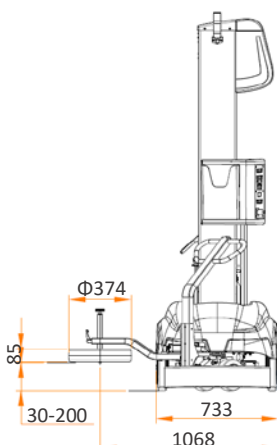
KEY FEATURES

- ✓ **Energy saving** – Automatic shutdown of the machine after 10 minutes of inactivity
- ✓ **Safety First** – Thanks to the new AGM dry battery technology there is no danger related to battery maintenance and acid leaks
- ✓ **Extensive battery duration** – Up to 400 cycles with each battery charge
- ✓ **Easier to transport** – Thanks to the AGM technology, batteries are not subject to any transport restrictions
- ✓ **Extensive safety** – BeeWrap incorporates several safety features as standard
- ✓ **Increased production capacity** – Thanks to customized settings
- ✓ **Versatile use** – Suitable for very large and round loads
- ✓ **Flexibility** – Machine is easily moved to various locations
- ✓ **Modular system** – Meeting your individual needs
- ✓ **Easy-to-use** – Due to the simple control concept
- ✓ **CE compliant** - Engineered and produced in Italy according to EU safety standards

DIMENSIONS

Version BeeWrap⁺ – L – M

Depending on version, equipment and options, the machine dimensions may differ.



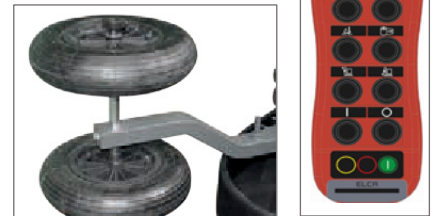
Carriage type	LP	FM	M
Description	Powered Pre-Stretch	Electro-Magnetic Brake	Mechanical Brake incl. quick release
Pre-Stretch level (%)	240 / 200	-	-
Max. pallet height (mm) incl. overlap above pallet top edge	2.100 std. (Low) / 2.600 (Medium)		
Pallet size (mm)	min. 400 x 500 / max. 6.000 x 7.000		
Min. pallet weight (kg)	20 – 55 (depending on film tension and friction)		
Power supply	100 – 240 V (via on-board charger)		
Rotation speed (m/min)	50 – 80 (adjustable)		
Up & Down Carriage speed (m/min)	1 – 5 (adjustable)		
Max. noise level	72,0 dB(A)		
Operating temperature	5 – 40°C		
Film roll details (max.)	width 500 mm / ext. Φ 250 mm / core Φ 76mm (fix) / weight 17 kg / thickness up to 23 microns		

Features	LP	FM	M
4 Automatic modes	•	•	•
9 + 1 individual programs	•	•	•
Pre-Stretch system	•	-	-
Adjustable film tension from control panel	•	•	-
Adjustable tracing wheel	•	•	•
Independent setting of rotation & carriage speeds	•	•	•
Lockable Control Panel	•	•	•
Top-Sheet function	•	•	•
No. of Top- & Bottom windings (independent settable)	•	•	•
Automatic height detection*	•	•	•
Top edge overlap (settable from control-panel)	•	•	•
Adjustable bottom overlap	•	•	•
Auto. film break detection	•	-	-
Energy saving / Auto-Off	•	•	•

* for wrapping of loads with many open spaces, the height can be programmed instead of using the height detector

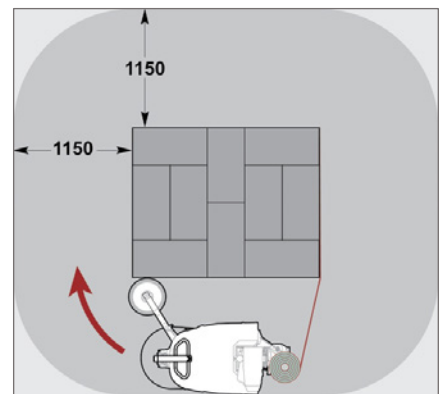
OPTIONS & ACCESSORIES

- Photocell for dark or reflective surfaces
- Film cutting punch (only on LP-carriage)
- Carriage for net-film
- Double tracing wheel
- Remote control
- Non-marking wheels
- Wheels for abrasive floor



WORKING FOOTPRINT

Space needed for machine rotation (not including safety area)



CONTROL PANEL



- User friendly icons and jog selector for quick parameter set-up
- 9 + 1 customizable program
- Semi-automatic and manual working mode
- Individual Speeds for Up/Down carriage movement
- Separate set-up for top and bottom reinforcement wraps
- Emergency push-button according to regulations

BATTERY AND SAFETY

Standard AGM batteries allow up to 400 wrapped pallets per single charge*. AGM technology, thanks to the absence of acid, makes these batteries the most suitable for mobile applications as they are particularly resistant to vibrations. Charging time is around 8 hours.

Battery Specification
2x AGM 12V 87Ah (C5)

* euro-pallet with 1,5 m height, up & down cycle incl. 2 top + 2 bottom wraps, film tension 10 daN

BeeWrap⁺ safety features include the use of a beacon during cycles as well as a safety bumper with sensors which stop the unit immediately if contact is detected.



FILM CARRIAGES



MORE DETAILS

Videos and further information can be found on our website or SIAT YouTube channel.

