

# NASTRO-SB™ -M5-M6-M8

The Next Benchmark



SEMI-AUTOMATIC CASE SEALER

100%  
MADE in ITALY

# NASTRO-SB™ - M5 - M6 - M8

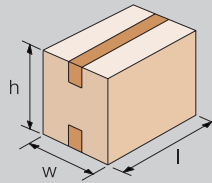
Nastro-SB™ - M is a range of semi-automatic heavy duty case sealing machines engineered by SIAT specifically for small, medium, large and king fixed box sizes. Nastro-SB™ is the ideal case sealing machine for a variety of industries like food & beverage, chemical, clothes and wine.

## SPECIFICATIONS

**Max Production Capacity:** 1200 boxes/hour

**Case type:** RSC - FEFCO 0201

**Max case weight:** 32 kg



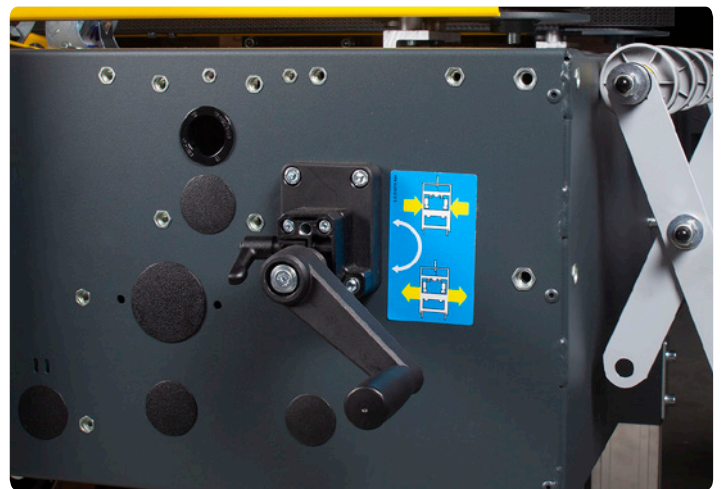
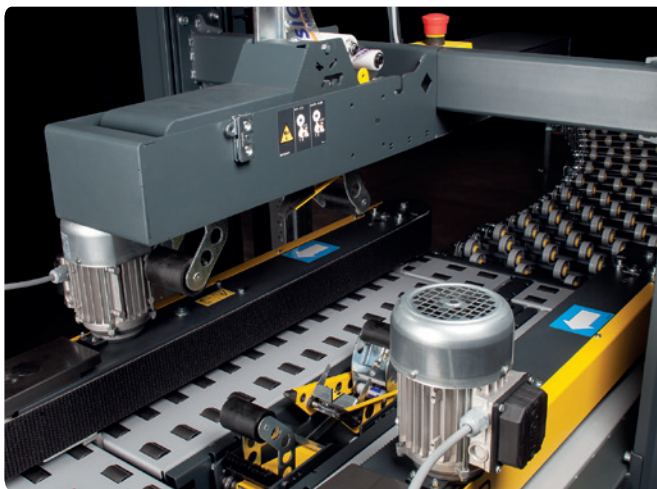
Box dimensions	L (mm)	W (mm)	H (mm)
M5-S	150 - ∞	150 - 500	120 - 500
M5-L	150 - ∞	105 - 500	50 - 500
M6-S	150 - ∞	150 - 650	120 - 650
M6-L	150 - ∞	105 - 650	50 - 650
M8	150 - ∞	150 - 800	120 - 800

## KEY FEATURES

- » Lockable power switch
- » Central (M5) or double side (M6-M8) emergency button
- » Removable heads without tools
- » 75 mm high belt conveyor
- » Easy to replace belt without removing the conveyor
- » 50 mm minimum box height (with L version)
- » Heavy duty column assembly
- » Heavy duty belt conveyor assembly
- » Lockable on/off motors switch
- » Top and bottom taping head removable without tools

## ENERGY SAVING VERSION

Motors and conveyors stop after a defined time when no cartons are detected



Top taping unit position adjustment handle

Central emergency button

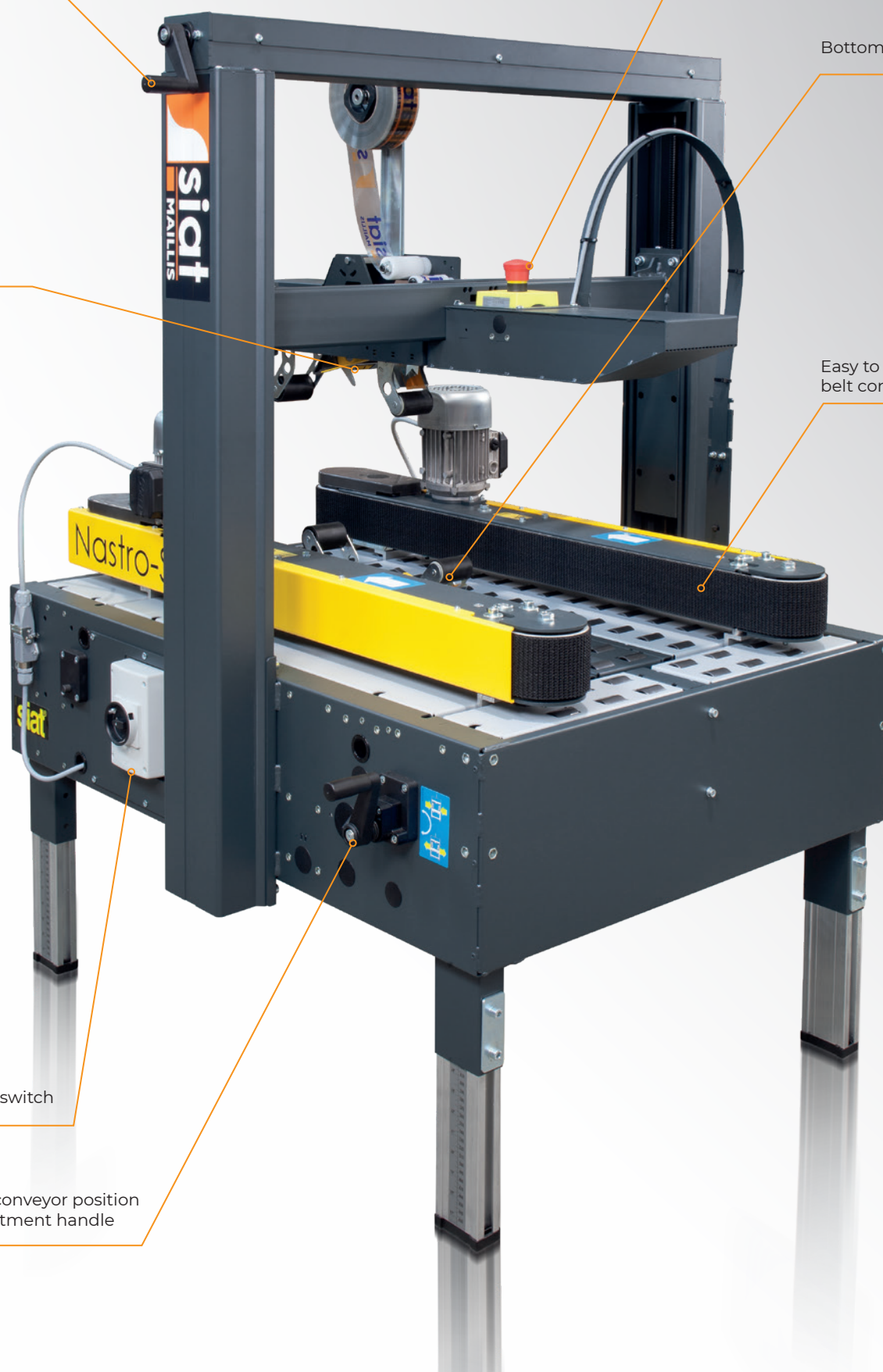
Bottom taping unit

Top taping unit

Easy to maintain belt conveyor

On/off lockable switch

Belt conveyor position adjustment handle

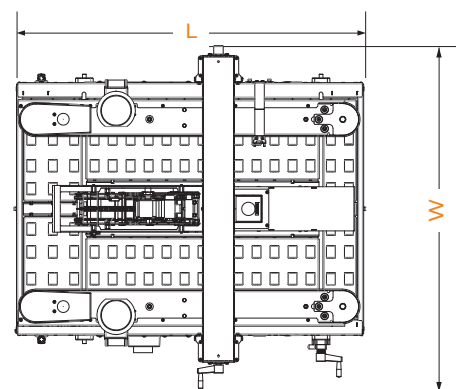
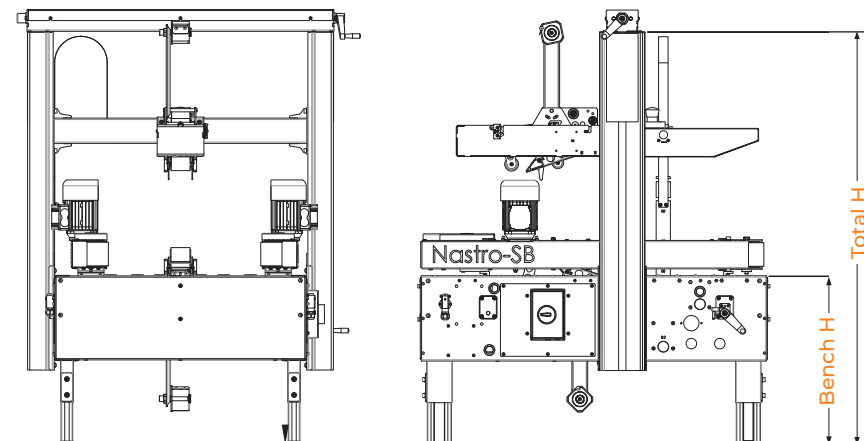


# NASTRO-SB™ - M5 - M6 - M8

## Machine dimensions

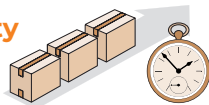
Dimensioni macchina  
Maschinenabmessungen  
Dimensions machine  
Dimensiones de máquina

	Model	Min (mm)	Max (mm)
Total H	M5-S/M5-L	1315	1575
	M6-S/M6-L	1460	1720
	M8	1575	1835
H Bench	ALL	540	800
W	M5-S/M5-L	1085	1085
	M6-S/M6-L	1240	1240
	M8	1390	1390
L	ALL	1100	1100



## Max Production capacity

Capacità di produzione  
Produktionskapazität  
Capacité de production  
Capacidad de producción



**up to 1200 Bph**

## Standard power supply

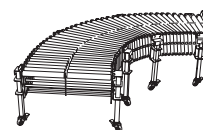
Alimentazione standard  
Standard-Stromanschluß  
Alimentation électrique standard  
Fuente de alimentación estándar

380/415V - 50Hz - 3ph	
440V - 60Hz - 3ph	
Amps	1,08
Power kW	0,26
Phase	3Ph + N + PE

## Optional Extras

Accessori  
Zubehör  
Accessories  
Accesorios

### GTL - GTR

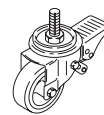


### Higher Legs

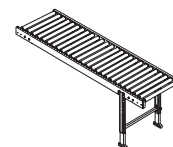


Nastro legs low height (440-700 mm)  
Nastro legs max height (760-1020 mm)

### AS77



### RG



## SIAT Spa

Via Puecher 22, 22078 Turate - Como  
www.siat.com

100%  
MADE in ITALY

SIAT S.p.A is recognised worldwide as a top-class machine manufacturer for secondary packaging and produces more than 17,000 machines per year, and has done since 1970. Our product range includes semi-automatic as well as fully automatic machines like Case Sealers and Case Erectors, Stretch Wrappers, Strapping Tools / Machines, Flexographic Printing Machines and Tape Dispensers. The company is present in more than 100 countries and is constantly investing worldwide to meet customers actual and future demands.