

## SIAT Strapping Technology

# VIBRA™ Automatic Strapping Heads

**DATASHEET**

SAFE • SUSTAINABLE • RELIABLE

With more than 30 years of experience in strapping systems SIAT is launching VIBRA™ Heads that represent the new state-of-the-art for different Customer needs in term of strap's width and applications.

VIBRA™ Heads are designed for fully automatic machines for plastic strapping technology and allow the use of 9mm to 32mm PET and PP strap. The strap welding occurs through a friction weld joint technology that maintains the strap characteristics and grants higher welding efficiency. The VIBRA™ fully automatic strapping heads are used worldwide in a large range of applications, showing their durability and strength even in very rough environments.



**VIBRA™ S** is ideally suited for medium and light duty applications typically found in beverage, paper, corrugated, and logistics. It is available for PET and PP strap and for a strap width from 10 to 16 mm. Available both with powder clutch or inverter, allows to reach a very high speed of launch and recovery of the strap, up to 6 m/s.

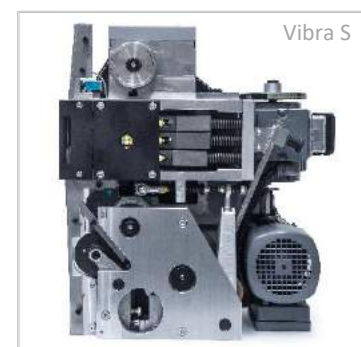
**VIBRA™ S+**, typically used for construction, wood, metal sheet and various other demanding industrial applications, is available for both PET and PP 16- and 19-mm wide straps and it is characterized by accurately delivering higher tension to straps with thickness up to 1.27 mm with an elevated ultimate strength.

**VIBRA™ M** represents a well-balanced solution for light and medium duty applications even for areas where it is difficult to provide maintenance. Completely electromechanical it is available for a wide range of PET and PP straps with a width from 10 to 19 mm.

**VIBRA™ MAX**, in the demanding field of very heavy-duty strapping applications, thanks to its high tension and excellent sealing efficiency, it allows reaching performances comparable to those of steel straps by using PET straps with a width of 25 or 32 mm. The individual, AC motors drive technology eliminate the need of clutches and grants ease of maintenance.

**KEY FEATURES & ADVANTAGES**

- ✓ **Reliability** – Durable even in rough environments
- ✓ **High tensioning force** – long elastic extension of the strap suitable for shrinkable products
- ✓ **Easy maintenance** – easy access to wearing parts
- ✓ **Vibration sealing** – high welding efficiency, no toxic fumes
- ✓ **Strap tension adjustment** – mechanical or electrical
- ✓ **Easy adaptability** – stable 2-sided mounting and easy control integration in the production line
- ✓ **Robustness** – strong aluminium cast housing
- ✓ **Accuracy** – precise tension alignment of the strap for the best welding efficiency
- ✓ **PLC Control** – easily integrated in automatic lines
- ✓ **Easy to retrofit** – with a compact modular design



# VIBRA™ Automatic Strapping Heads

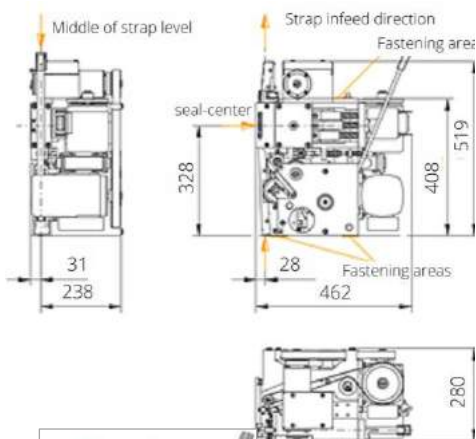


## DATASHEET

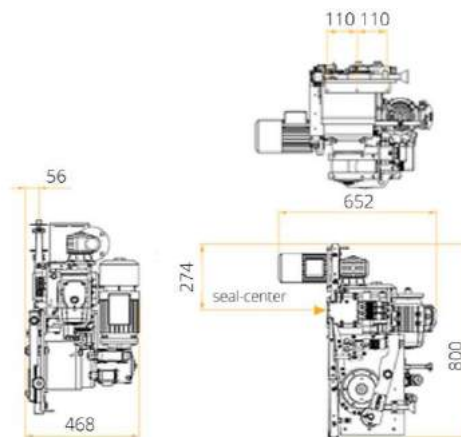


Model	VIBRA™ S	VIBRA™ S <sup>+</sup>	VIBRA™ M	VIBRA™ MAX
Strap Types	PP / PET Strap (machine grade)			PET
Strap Width	10, 12, 16 mm	16, 19 mm	10, 12, 16, 19 mm	25, 32 mm
Strap Thickness	0,7 – 1,00 mm	0,7 – 1,27 mm	0,7 – 1,00 mm	from 0,9 to 1,27 mm
Max. Tension Reserve	to approx. 4.000 N	to approx. 5.000 N	to approx. 3.500 N	to approx. 7.000N
Strap feed/take up speed	up to 6 m/s	up to 5 m/s	up to 3 m/s	up to 3 m/s
Tensioning speed	approx. 0,11 m/s	approx. 0,04 m/s	approx. 0,03 m/s	approx. 0,03 m/s
Strap tension depending on the strap used	50 – 4.000 N	100 – 5.000 N	50 – 3.500 N	200 – 7.000 N
Type of Welding	Vibration (Friction) Welding			
Welding Time	approx. 0,5 to 1,8 sec		0,5 to 2,2 sec	approx. 4,0 to 6,0 sec
Tensioning Time	approx. 0,5 sec. to max. <i>(unlimited adjustable)</i>		approx. 2,2 sec	approx. 2,2 sec
Strap tensioning control	powder clutch or inverter		mechanical adjustment	inverter
Dimension (LxWxH)	519 x 280 (290) x 462 mm		800 x 540 x 326 mm	814 x 755 x 675 mm
Weight	78 kg		100 kg	370 kg
Electrical Supply	400 V / 3 ph / 50 Hz		400 V / 3 ph / 50 Hz	380/50 + Pe.
Control Voltage	24 V DC		24 V DC	24 V DC
Power Input	1.0 kW		1.0 kW	5 kW.

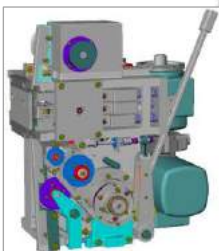
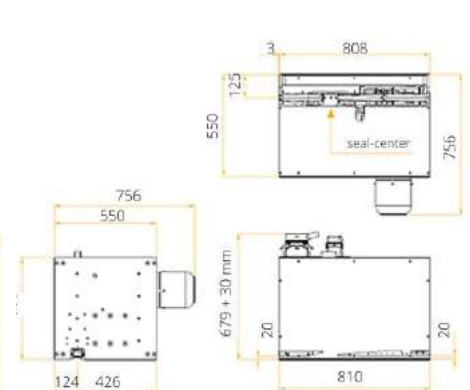
### DIMENSIONS VIBRA™ S / S<sup>+</sup>



### DIMENSIONS VIBRA™ M



### DIMENSIONS VIBRA™ MAX



### MORE DETAILS

Videos and further information can be found on our website or SIAT Youtube channel.



SAFE • SUSTAINABLE • RELIABLE

SIAT.com