



OneWrapArm

SEMI-AUTOMATIC
STRETCH WRAPPER



STRECH WRAPPING MACHINES

100%
MADE in ITALY

OneWrapArm

OneWrap Arm is the new semi-automatic pallet wrapping solution designed to deliver a **fully automatic film fixing and cutting cycle** - with no safety fences and no compressed air. **Compact, 100% electric, and easy to operate**, OneWrap Arm ensures stable and secure wrapping while minimizing operator intervention. An ideal choice for companies looking for essential automation, everyday reliability, and a reduced footprint.

BUILT TO LAST

SIAT wrappers are known for their longevity, robustness, and the high quality of materials, making them a particularly durable investment. Choosing SIAT means investing in a machine that will last for decades.



BENEFIT

- » **Fully automatic film fixing and cutting**
No manual handling of the film at the start or end of the cycle. This increases productivity, ensures consistent wrapping, and avoids operator fatigue or errors.
- » **No safety fences required**
Integrated safety features allow safe operation without physical barriers. This saves space and simplifies layout in tight working environments.
- » **Compact footprint**
Designed to operate in limited spaces. Ideal for small production areas or facilities with constrained layout flexibility.
- » **100% Electric – no compressed air needed**
Works entirely with electric components. No need for pneumatic connections or compressors, reducing installation costs, maintenance needs, and energy consumption.
- » **Remote control included in the machine**

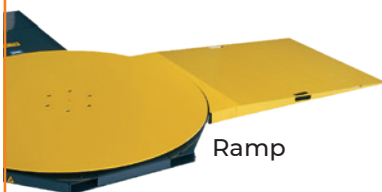


Type	Turntable
Automation Grade	Semi-automatic
Max prestrech	240%
Max pallet weight (Kg)	2.400

	One Wrap Arm
Maximum Output Speed	up to 25-35 loads/hr
Turntable Speed (Variable)	6 - 12 rpm
Powered with fixed gears (LP)	240-200-150%
Film Carriage	LP
Lifting and Lowering Speed	the reel holder carriage can be adjusted from 0 to 10
Film Capacity	ext.Ø 300 mm / core Ø76mm (fix) / weight 20 kg thickness up to 35 micron
Standard Film Width (mm)	500
Platform diameter (mm)	1.650
Max. pallet height (mm) incl. overlap above pallet top edge	1.900
Min. pallet height (mm) incl. overlap above pallet top edge	800
Max. pallet size (mm)	1000x1200 / 600x600
Max. working load (kg)	2.400
Power supply	220/240V 50/60Hz / 400V 50/60Hz / others on request
Max. noise level	72,0 dB (A)
Operating temperature	5 - 40°C

ACCESSORIES

- » Remote control for easy wrapping activation, available in 2026
- » Standard ramp; L = 1.490mm
- » Elongated ramp; L = 1.870mm (for loading pallet truck)
- » Pit-frame (burial) for installation at ground level
- » W8 Wrap



Ramp



Pit-frame

W8 Wrap

Weigh and wrap in one easy step!

The system performs precise weighing of each pallet (± 1 kg) and can be easily retrofitted, requiring only placement on the load cell plate and connection of the external power and indicator.





Automatic film cutting system



Smart, Safe, Simple

OneWrap Arm is built for safety, efficiency, and ease of use. It features a **clear display, automatic pallet height detection with photocell for dark pallets** and a smooth belt-driven carriage. The folding column and forklift access simplify repositioning, while the **100% electric system** eliminates the need for compressed air.

Automatic Fixing & Cutting

OneWrap Arm **automatically attaches and cuts the film** at the beginning and end of the wrapping cycle, eliminating the need for any manual film handling.

This significantly improves operator ergonomics, reduces repetitive strain, and speeds up the wrapping process.



Manual and Automatic Modes

The machine can wrap loads either manually allowing occasional, operator-controlled wrapping or automatically, with selectable programs for single or double wrapping, with or without a top sheet, based on the load type.

Ready-to-Wrap Programs

The operator selects the best-suited option for the load and saves all wrapping parameters speed, tension, rotations, and delays. **Up to 9 + 1 custom programs** can be stored and recalled by number for quick, consistent wrapping.

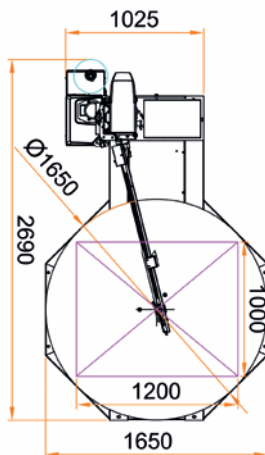
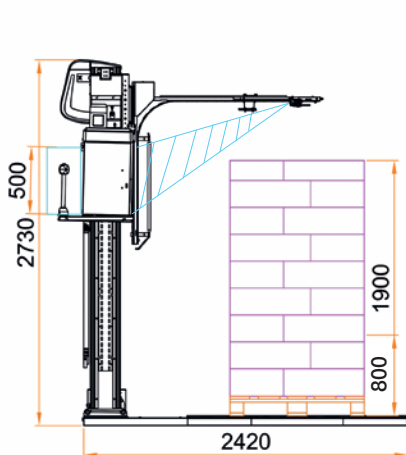
Fence-Free Design

OneWrap Arm **operates safely without requiring perimeter safety fences**, thanks to its intelligent design. Its compact footprint makes it ideal for facilities with limited space, while still ensuring safe, compliant, and uninterrupted operation.

Advanced Parameters

The system is designed to optimize wrapping precision, film usage, and load stability through programmable settings:

- Independent speed control for the reel holder carriage during ascent and descent for stable, even wrapping.
- Top sheet cycle with programmable descent delay, allowing accurate placement and adhesion of the protection film.
- Reinforcement bands are extra film layers (bottom, and top) added to improve load stability. The operator selects how many to apply based on the load.
- The column can tilt back thanks to its hinged base – easy to install and maintain.





The SIAT Group



Headquartered in Northern Italy, SIAT is established as a quality leader in end-of-line industrial packaging solutions, specializing in taping, strapping and wrapping machines, as well as flexographic printing machines.

Based in Ohio (USA), Combi is a Northern American producer of industrial packaging systems, engineering and manufacturing case erectors, tray formers, case sealers, case packers, robotic packaging systems, and ergonomic monoblock hand-packing stations.



Located in Northern Italy, Tam has been producing small metal parts and providing precision machining services for over 30 years.

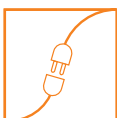
For over 50 years, we have been manufacturing high-tech equipment and are proud to be recognized by our customers as among the leading brands in packaging machinery and components. Our solutions are utilized across various industries, including food and beverage, e-commerce, logistics, packaging, and consumer products.

Our machines are designed to:



Increase customer productivity

Our machines boast an average life of 25 years, while our customers pay off their investment in only 4 to 5 months.



Lower the total cost of ownership

Our machines are designed for easy maintenance and simple installation. They are developed to be user-friendly and durable, while also being easy to integrate and manage.



Reduce environmental impact

We strongly believe in pursuing this goal through our environmental approach, envisioning the future of packaging as a collaborative effort with our customers to find the most sustainable and secure solutions. Each machine is designed to consume less energy, minimize material usage, and reduce waste.



Be connected

Thanks to Optirun, the SIAT Group's IoT solutions brand, we can calculate tape and box consumption, monitor film usage, and track all machine parameters to prevent downtime.



E-commerce

Buy directly at www.shop.siat.com



Service

Contact our field service Team at servicenow@siat.com



Via Puecher 22,
22078 Turate - Como
www.siat.com

